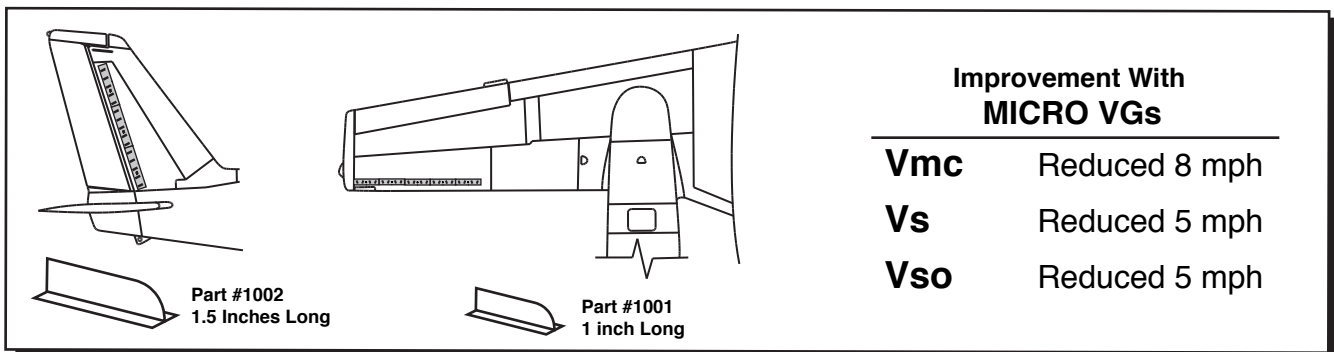
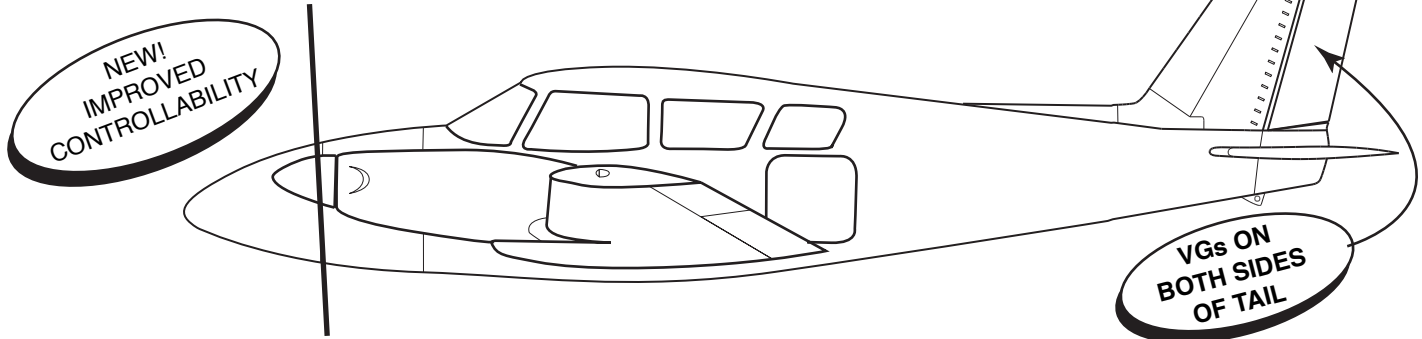


Piper Twin Comanche PA-30, PA-39

MICRO Vortex Generator Kit



Improvement With MICRO VGs

V_{mc}	Reduced 8 mph
V_s	Reduced 5 mph
V_{so}	Reduced 5 mph

About MICRO Vortex Generators:

The **MICRO Vortex Generators** for the Piper Twin Comanche are now FAA STC approved and ready for installation on your airplane. This jet age technology provides virtual elimination of V_{mc}, a dramatic improvement in characteristics, reduced stall speeds, and improved safety.

The **Micro VG Kit** consists of 40 vortex generators mounted on the wings, just aft of the leading edge and 15 vortex generators mounted on each side of the vertical stabilizer. The **Micro VG Kit** includes all of the installation tools, Loctite Depend Adhesive, and materials for your shop to make the easy one day installation.

The **Micro Vortex Generators** are manufactured under our FAA PMA from aircraft grade aluminum and are alodined to a Boeing mil-spec, then painted to match your airplane before shipping.

When placing your order for a **Micro VG Kit**, please provide the Serial Number and N-Number. We can ship the same day if your kit is ordered Alodine, ready to be painted. We can paint the VGs to match your airplane for an additional \$200 per color. Painted kits will ship within 3 days. Amex, VISA, MasterCard, Discover and COD orders accepted. Please call for further information.

- Reduced V_{mc}, V_s, V_{so}
- FAA STC Approved
- Easy One Day Installation
- Improved Characteristics
- Improved Lateral Stability
- Kit Price \$1950 plus S&H



MICRO
AERODYNAMICS INC.
Vortex Generator Technology

(800) 677-2370

4000 Airport Road, Suite D

Anacortes, Washington 98221

(360) 293-8082 FAX (360) 293-5499

<http://www.microaero.com>

micro@microaero.com